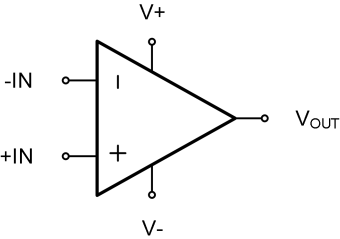


GTV621 GTV622 GTV624

Low-Voltage, Low-Power, Rail-to-Rail I/O CMOS Op Amps

1 Features	2 Application
<ul style="list-style-type: none"> - High gain bandwidth: 6.5MHz - Rail-to-rail input and output - Low supply current: 700 μA/amplifier at 5 V - Input voltage range: -0.1V to +5.6V with $V_S=5.5V$ - Supply range: +2.5V to +5.5V - Operation temperature range: -40°C to +125°C 	<ul style="list-style-type: none"> - Sensors - Photodiode amplification - Active filters - Test equipment - Driving A/D converters

3 Description	Circuit Diagram
<p>The GTV62X families of products offer low voltage operation and rail-to-rail input and output, as well as excellent speed/power consumption ratio, providing an excellent bandwidth (6.5MHz) and slew rate of 2.9V/us. The op-amps are unity gain stable and feature an ultra-low input bias current.</p> <p>The devices are ideal for sensor interfaces, active filters and portable applications. The GTV62X families of operational amplifiers are specified at the temperature range of -40°C to +125°C under single or dual power supplies of 2.5V to 5.5V.</p>	

4 Revision History

Revision	Date	Note
Rev. A0. 0	2023. 09. 02	Original Version
Rev. A1. 0	2023. 12. 15	1.Updated Package Qty 2.Added Tape and Reel Information
Rev. A1. 1	2023. 12. 26	1.Added Marking 2.Added MSL
Rev. A1. 2	2024. 04. 10	1.Updated Device Summary, Pin and Packages

The latest datasheet version should be checked on the GTIC official website, as the company does not actively inform customers about updates to the datasheet.

5 Device Summary, Pin and Packages

Table. 5-1. Device Summary⁽¹⁾

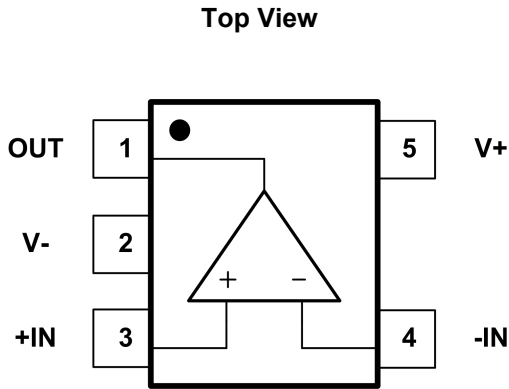
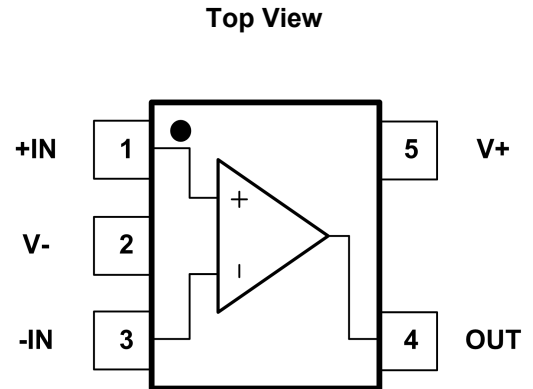
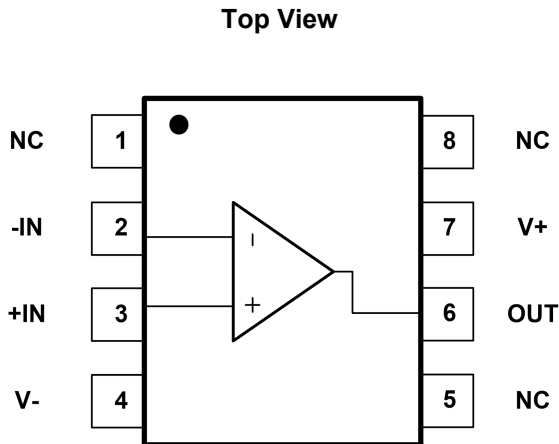
Serial Name	Part Name	Package	Body Size (Nom)	Marking ⁽²⁾	MSL ⁽³⁾	Package Qty
GTV621	GTV621S5	SOT23-5	2.90mm×1.60mm×1.10mm	GTV621 XXXXXX	3	Tape and Reel,3000
	GTV621BS5	SOT23-5	2.90mm×1.60mm×1.10mm	GTV621B XXXXXX	3	Tape and Reel,3000
	GTV621M8	MSOP8	3.00mm×3.00mm×1.10mm	GTV621 XXXXXXXX	3	Tape and Reel,4000
	GTV621P8	SOP8	6.00mm×3.90mm×1.75mm	GTV621 XXXXXXXX	3	Tape and Reel,4000
GTV622	GTV622M8	MSOP8	3.00mm×3.00mm×1.10mm	GTV622 XXXXXXXX	3	Tape and Reel,4000
	GTV622T8	TSSOP8	3.00mm×4.40mm×1.10mm	GTV622 XXXXXXXX	3	Tape and Reel,4000
	GTV622P8	SOP8	6.00mm×3.90mm×1.75mm	GTV622 XXXXXXXX	3	Tape and Reel,4000
GTV624	GTV624TD	TSSOP14	5.00mm×4.40mm×1.20mm	GTV624 XXXXXXXX	3	Tape and Reel,4000
	GTV624PD	SOP14	8.65mm×3.90mm×1.75mm	GTV624 XXXXXXXX	3	Tape and Reel,4000

(1) For all available packages, please contact product sales.

(2) There may be additional marking, which relates to the lot trace code information (data code and vendor code), the logo or the environmental category on the device.

(3) MSL, The Moisture Sensitivity Level rating according to the JEDEC industry standard classifications.

(4) "XXXXXX" in Marking will be appeared as the batch code.

5 Device Summary, Pin and Packages(Continued)

Fig.5-1. GTV621: S5 (SOT23-5) Package

Fig.5-2. GTV621: BS5 (SOT23-5) Package

**Fig.5-3. GTV621: M8 (MSOP8) Package
GTV621: P8 (SOP8) Package**
Table.5-2. Pin Definition

Name	Pin			I/O	Description
	S5	BS5	M8 P8		
-IN	4	3	2	I	Inverting input
+IN	3	1	3	I	Noninverting input
NC	-	-	1,5,8	-	No internal connection (can be left floating)
OUT	1	4	6	O	Output
V-	2	2	4	-	Negative (lowest) supply or ground (for single-supply operation)
V+	5	5	7	-	Positive (highest) supply

* It is suggested to leave the unconnected pins floating.

5 Device Summary, Pin and Packages(Continued)

Top View

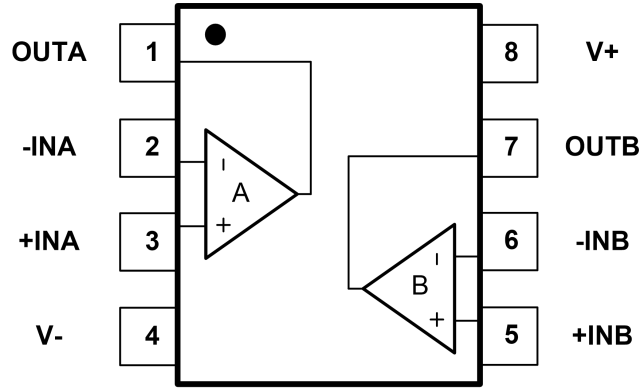


Fig.5-4. GTV622: M8(MSOP8) Package
 GTV622: T8(TSSOP8) Package
 GTV622: P8(SOP8) Package

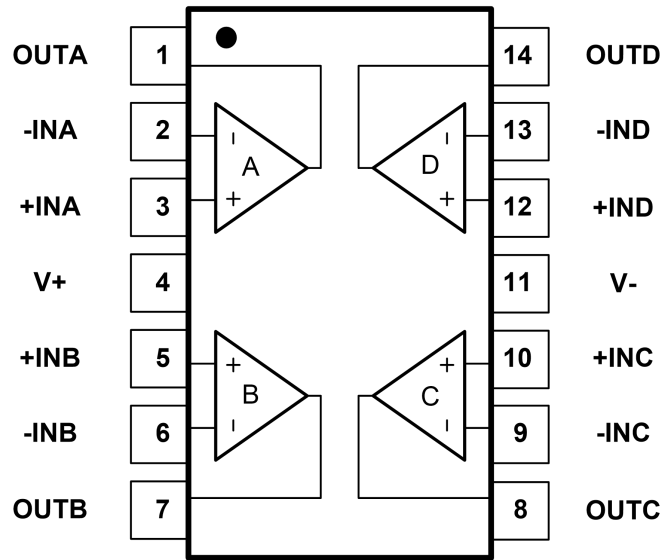
Table.5-3. Pin Definition

Pin		I/O	Description
Name	M8 T8 P8		
-INA	2	I	Inverting input, channel A
+INA	3	I	Noninverting input, channel A
-INB	6	I	Inverting input, channel B
+INB	5	I	Noninverting input, channel B
OUTA	1	O	Output, channel A
OUTB	7	O	Output, channel B
V-	4	-	Negative (lowest) supply or ground (for single-supply operation)
V+	8	-	Positive (highest) supply

* It is suggested to leave the unconnected pins floating.

5 Device Summary, Pin and Packages(Continued)

Top View


Fig.5-5. GTV624: TD (TSSOP14) Package
GTV624: PD (SOP14) Package
Table.5-4. Pin Definition

Pin		I/O	Description
Name	PD TD		
-INA	2	I	Inverting input, channel A
+INA	3	I	Noninverting input, channel A
-INB	6	I	Inverting input, channel B
+INB	5	I	Noninverting input, channel B
-INC	9	I	Inverting input, channel C
+INC	10	I	Noninverting input, channel C
-IND	13	I	Inverting input, channel D
+IND	12	I	Noninverting input, channel D
OUTA	1	O	Output, channel A
OUTB	7	O	Output, channel B
OUTC	8	O	Output, channel C
OUTD	14	O	Output, channel D
V-	11	-	Negative (lowest) supply or ground (for single-supply operation)
V+	4	-	Positive (highest) supply

* It is suggested to leave the unconnected pins floating.

6 Voltage, Temperature, ESD and Thermal Ratings

6.1 Absolute Maximum Ratings

Parameters	Min.	Max.	Unit
Supply Voltage $V_s=(V^+)-(V^-)$		6.5	V
Select Input Voltage	$(V^-)-0.5$	$(V^+)+0.5$	V
Maximum Junction Temperature	-55	150	°C
Storage Temperature Range	-55	150	°C

(1) Stresses above these ratings may cause permanent damage. Exposure to absolute maximum conditions for extended periods may degrade device reliability. These are stress ratings only, and functional operation of the device at these or any other conditions beyond those specified is not implied.

(2) Input terminals are diode-clamped to the power-supply rails. Input signals that can swing more than 0.3V beyond the supply rails should be current-limited to 10mA or less.

6.2 ESD Ratings

ESD			Value	Unit
V(ESD)	Electrostatic discharge	Human-body model (HBM)	7 K	V
		Charged-device model (CDM)	2 K	V

(1) JEDEC document JEP155 states that 500-V HBM allows safe manufacturing with a standard ESD control process.

(2) JEDEC document JEP157 states that 250-V CDM allows safe manufacturing with a standard ESD control process.

6.3 Recommended Operating Conditions

Over operating free-air temperature range (unless otherwise noted)

Symbol	Parameters	Min.	Max.	Unit
Supply Voltage $V_s=(V^+)-(V^-)$	Single-supply	2.5	5.5	V
	Dual-supply	±1.25	±2.75	
TA	Operating temperature	-40	125	°C

6.4 Thermal Information

Package Type	θ_{JA}	θ_{JC}	Unit
SOT23-5	250	81	°C/W
MSOP8	210	45	°C/W
TSSOP8	191	44	°C/W
SOP8	158	43	°C/W
TSSOP14	180	35	°C/W
SOP14	120	36	°C/W

7 Electrical Specifications

$V_{CC}=5.0V$, $V_{CM}=V_{CC}/2$, $V_O=V_{CC}/2$, and $R_L=10k\Omega$, FULL= $-40^{\circ}C$ to $+125^{\circ}C$, Typical values are at $T_A=+25^{\circ}C$. (unless otherwise noted)

Parameters	Symbol	Conditions	V_{CC}	T_A	Min.	Typ.	Max.	Unit
Offset Voltage								
Input Offset Voltage	V_{OS}		5V	$+25^{\circ}C$	-4		4	mV
Input offset Voltage Average Drift	$V_{OS\ TC}$		5V	$+25^{\circ}C$		2		$\mu V/^{\circ}C$
Power-supply Rejection Ratio	PSRR	$V_{CM}=(V_-)+0.5V$	2.5V to 5.5V	$+25^{\circ}C$	75	93		dB
				FULL	72			
Input Voltage Range								
Common-mode Voltage Range	V_{CM}		5.5V	$+25^{\circ}C$	-0.1		5.6	V
Common-mode Rejection Ratio	CMRR	$V_{CM}=-0.1V$ to 4.1V	5.5V	$+25^{\circ}C$	70	92		dB
				FULL	68			
		$V_{CM}=-0.1V$ to 5.6V	5.5V	$+25^{\circ}C$	62	83		
				FULL	60			
Input Bias Current								
Input Bias Current	I_B		5V	$+25^{\circ}C$	± 1	± 10		pA
Input Offset Current	I_{OS}		5V	$+25^{\circ}C$	± 1	± 10		pA
Noise								
Input Voltage Noise Density	e_n	$f=1kHz$	5V	$+25^{\circ}C$		130		nV/\sqrt{Hz}
		$f=10kHz$				50		
Open-loop Gain								
Open-loop Voltage Gain	AOL	$V_{CM}=0.15V$ to 4.85V, $R_L=10k\Omega$	5V	$+25^{\circ}C$	90	110		dB
				FULL	85			
		$V_{CM}=0.05V$ to 4.95V, $R_L=2k\Omega$	5V	$+25^{\circ}C$	86	92		
				FULL	65			
Frequency Response								
Gain Bandwidth Product	GBP	$G=+1$	5V	$+25^{\circ}C$		6.5		MHz
Phase Margin	PM	$G=+1$	5V	$+25^{\circ}C$		64		$^{\circ}$
Slew Rate	SR	$G=+1$	5V	$+25^{\circ}C$		2.9		$V/\mu s$
Settling Time	t_s	To 0.1%	5V	$+25^{\circ}C$		0.5		μs
Overload Recovery Time	t_{OR}	$V_{IN} \times Gain > V_S$	5V	$+25^{\circ}C$		0.5		μs

7 Electrical Specifications (Continued)

$V_{CC}=5.0V$, $V_{CM}=V_{CC}/2$, $V_O=V_{CC}/2$, and $R_L=10k\Omega$, FULL= $-40^{\circ}C$ to $+125^{\circ}C$, Typical values are at $T_A=+25^{\circ}C$. (unless otherwise noted)

Parameters	Symbol	Conditions	V_{CC}	T_A	Min.	Typ.	Max.	Unit
Output								
Output Swing	VO	$R_L=10k\Omega$	5.5V	+25°C		17	12	mV
		$R_L=2k\Omega$		+25°C		8	22	
Short-circuit Current	I _{out}		5V	+25°C		±70		mA
Power Supply								
Quiescent Current Per Amplifier	I _Q	I _o =0mA	5.5V	+25°C		700	1000	μA

8 Typical Characteristics

$V_{CC}=5.0V$, $V_{CM}=V_{CC}/2$, $V_O=V_{CC}/2$, and $R_L=10k\Omega$, FULL= $-40^{\circ}C$ to $+125^{\circ}C$, Typical values are at $T_A=+25^{\circ}C$. (unless otherwise noted)

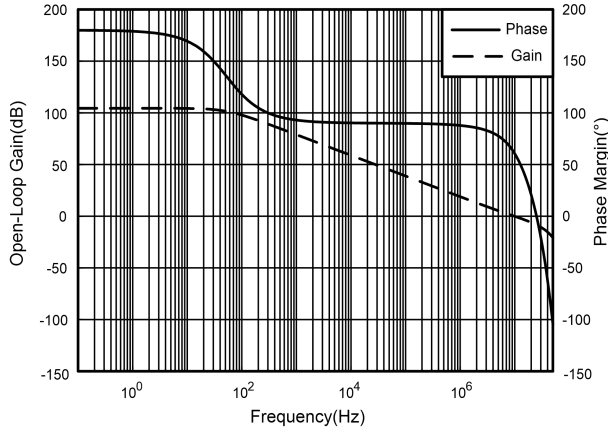


Fig.8-1. Open-Loop Gain and Phase vs Frequency

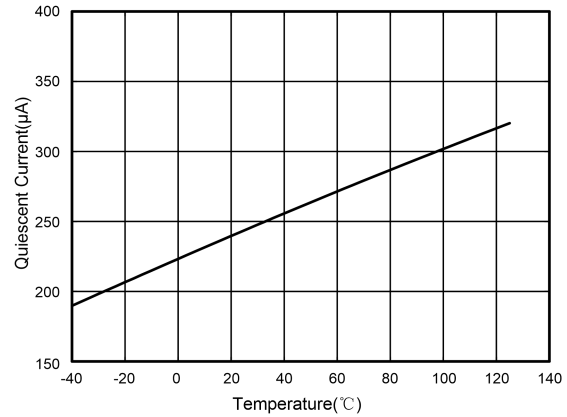


Fig.8-2. Quiescent Current vs Temperature

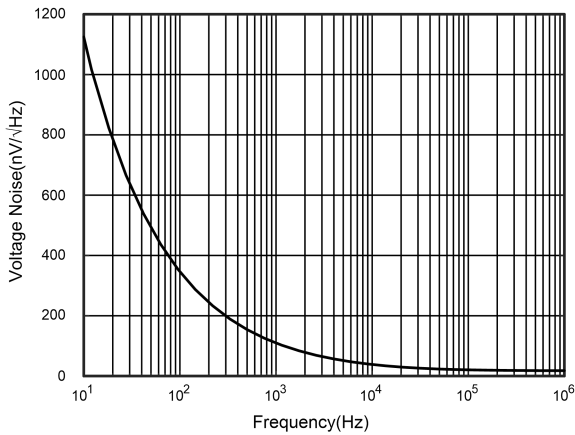


Fig.8-3. Voltage Noise vs Frequency

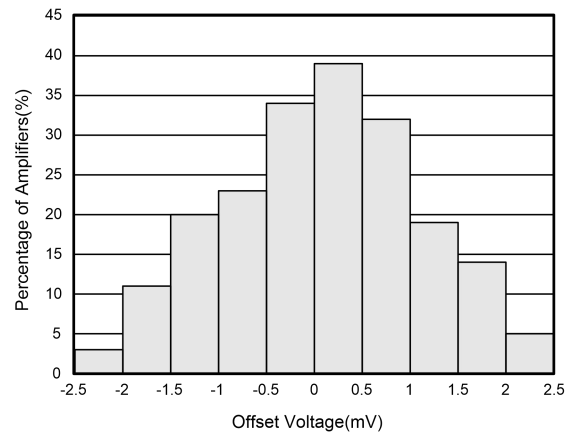


Fig.8-4. Offset Voltage Production Distribution

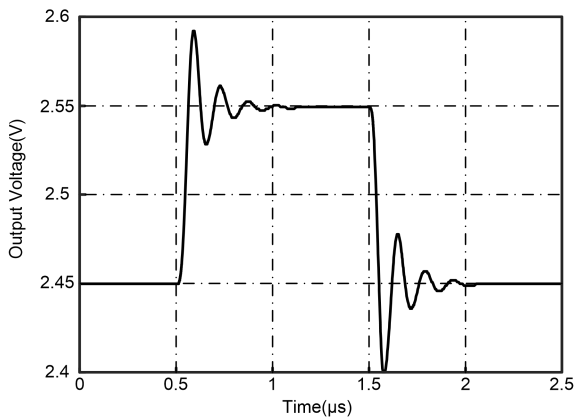


Fig.8-5. Small-Signal Step Response

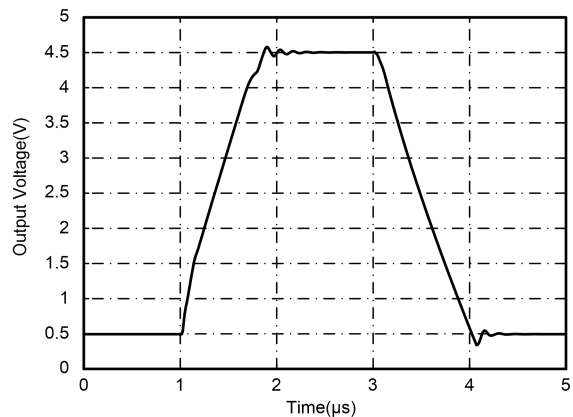


Fig.8-6. Large-Signal Step Response

9 Detailed Description

The GTV62X are rail-to-rail operational amplifiers that can be run from a single-supply voltage 2.2V to 5.5V ($\pm 1.1V$ to $\pm 2.75V$). Supply voltages higher than 6.5V (absolute maximum) can permanently damage the amplifier. Rail-to-rail input and output swing significantly increases dynamic range, especially in low-supply applications.

Attention to good layout practices is always recommended. Keep traces short. When possible, use a PCB ground plane with surface-mount components placed as close to the device pins as possible. Place a 0.1 μ F capacitor closely across the supply pins. These guidelines should be applied throughout the analog circuit to improve performance and provide benefits such as reducing the EMI susceptibility.

10 Application Note

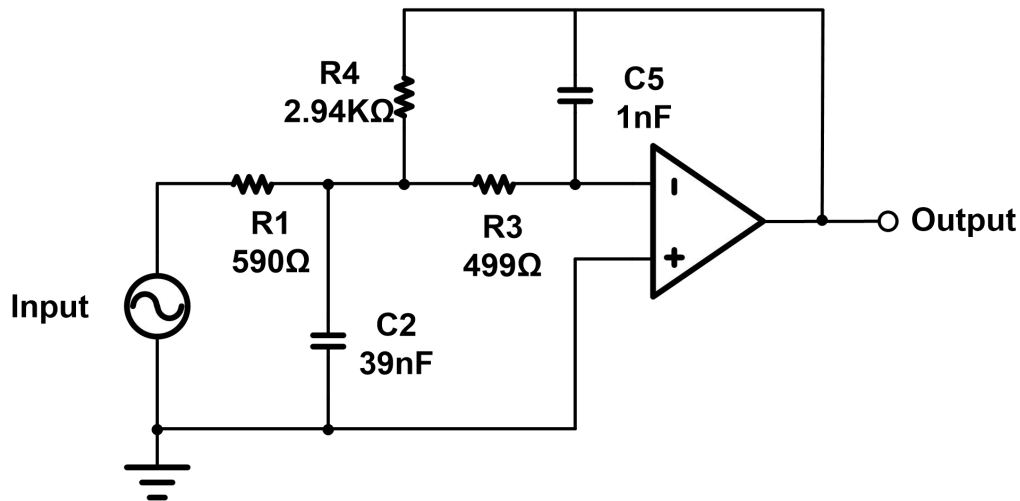


Fig.10-1. 25-kHz Low-pass Filter

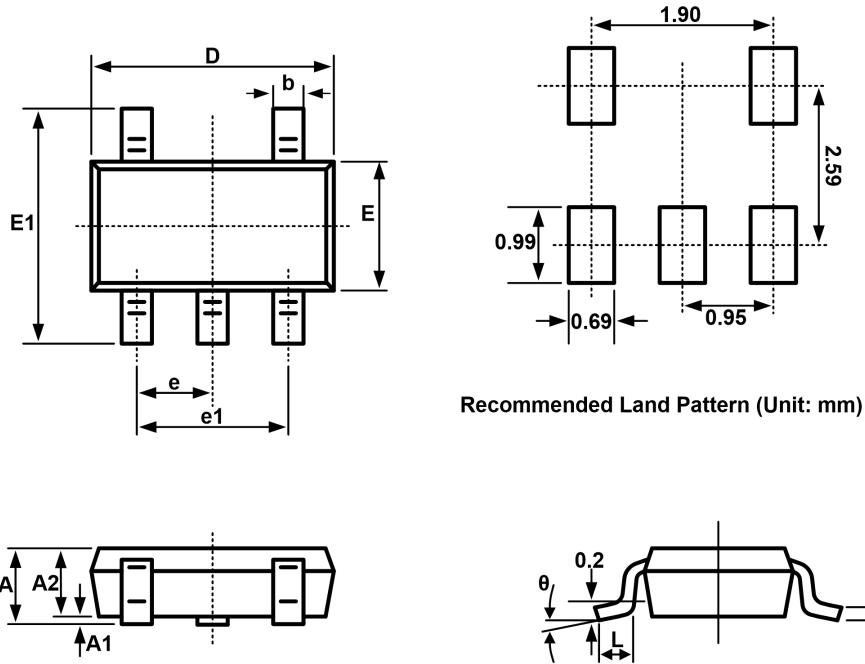
Low-pass filters are commonly employed in signal processing applications to reduce noise and prevent aliasing. The GTV62X devices are ideally suited to construct high-speed, high-precision active filters. Fig.10-1 shows a second-order, low-pass filter commonly encountered in signal processing applications.

Use the following parameters for this design example:

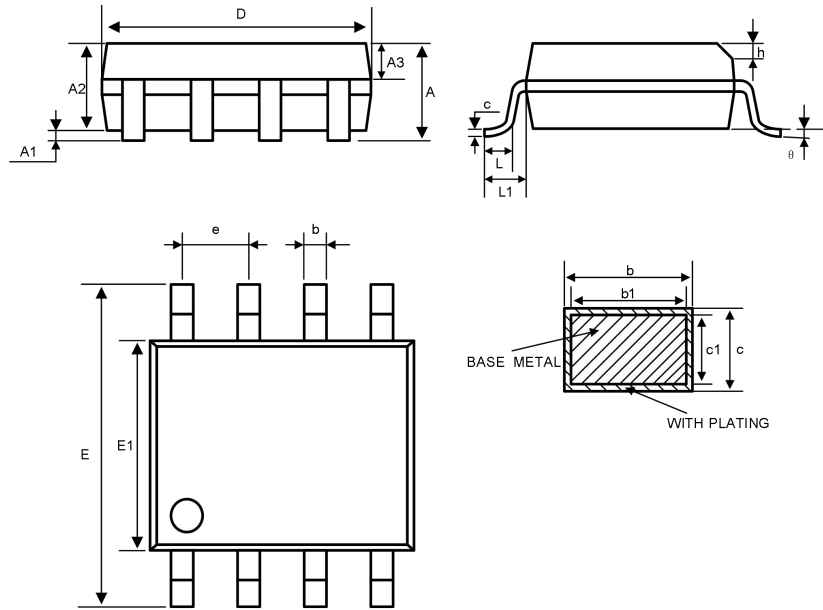
- Gain = 5 V/V (inverting gain)
- Low-pass cutoff frequency = 25 kHz
- Second-order Chebyshev filter response with 3-dB gain peaking in the passband

11 Package Outline Dimension

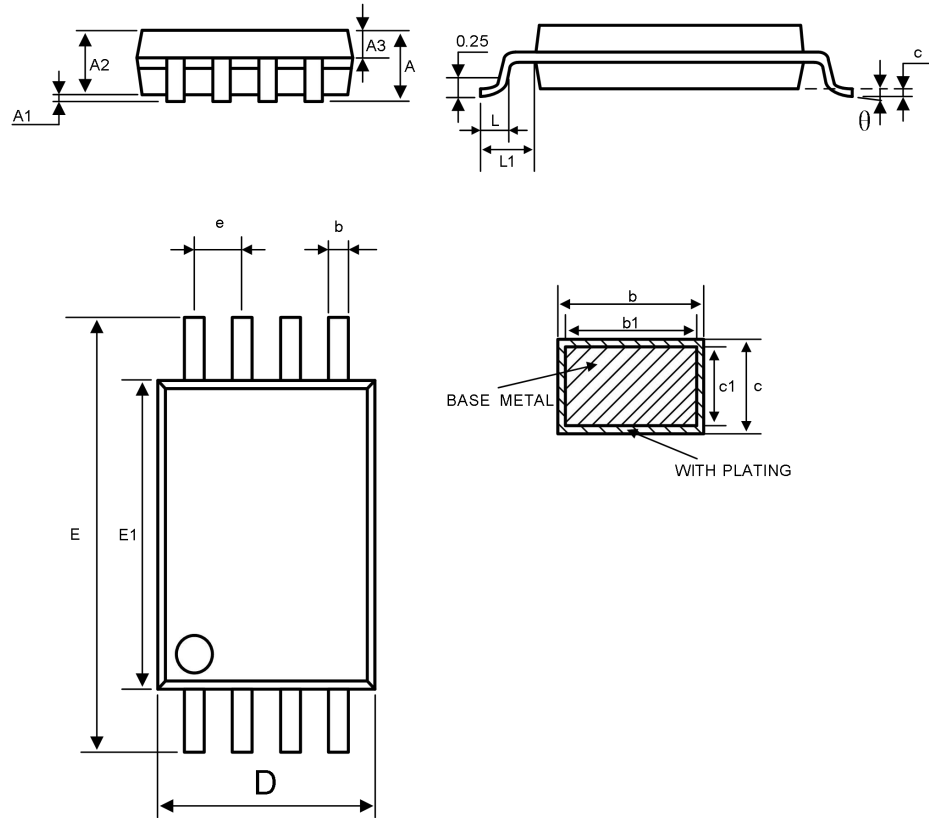
SOT23-5



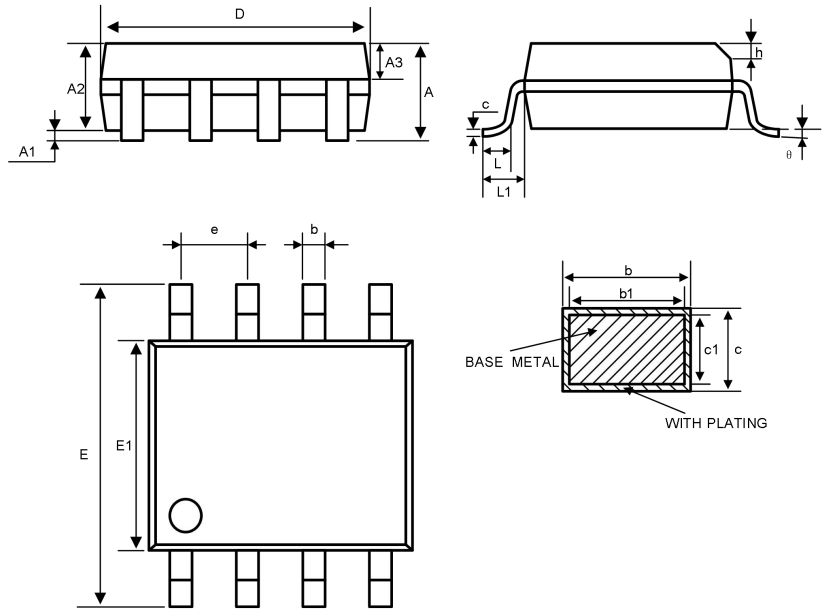
Symbol	Dimensions in Millimeters		Dimensions in Inches	
	Min.	Max.	Min.	Max.
A	1.050	1.250	0.041	0.049
A1	0.000	0.100	0.000	0.004
A2	1.050	1.150	0.041	0.045
b	0.300	0.500	0.012	0.020
c	0.100	0.200	0.004	0.008
D	2.820	3.020	0.111	0.119
E	1.500	1.700	0.059	0.067
E1	2.650	2.950	0.104	0.116
e	0.950(BSC)		0.037(BSC)	
e1	1.800	2.000	0.071	0.079
L	0.300	0.600	0.012	0.024
L1	0.600REF		0.024REF	
θ	0°	8°	0°	8°

11 Package Outline Dimension(Continued)
MSOP8


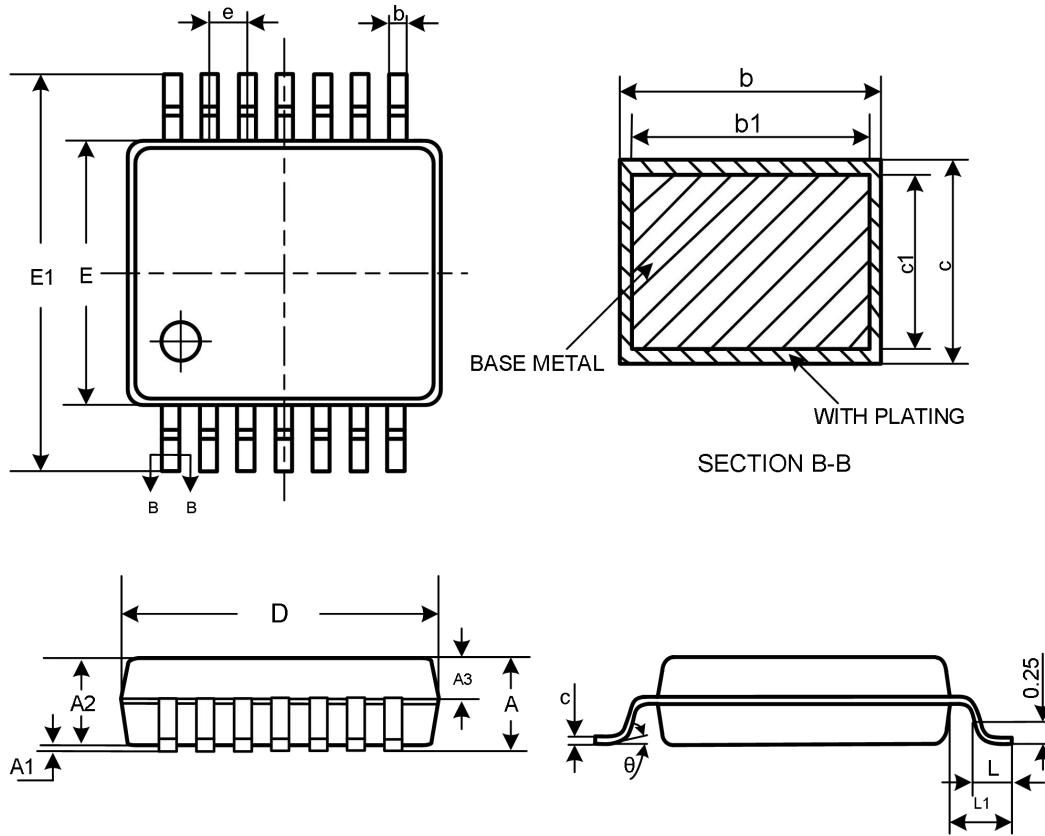
Symbol	Dimensions in Millimeters			Dimensions in Inches		
	Min.	Nom.	Max.	Min.	Nom.	Max.
A	—	—	1.10	—	—	0.043
A1	0.05	—	0.15	0.002	—	0.006
A2	0.75	0.85	0.95	0.030	0.033	0.037
A3	0.30	0.35	0.40	0.012	0.014	0.016
b	0.28	—	0.36	0.011	—	0.014
b1	0.27	0.30	0.33	0.011	0.012	0.013
c	0.15	—	0.19	0.006	—	0.007
c1	0.14	0.15	0.16	0.006	0.006	0.006
D	2.90	3.00	3.10	0.114	0.118	0.122
E	4.70	4.90	5.10	0.185	0.193	0.201
E1	2.90	3.00	3.10	0.114	0.118	0.122
e	0.65BSC			0.026BSC		
L	0.40	—	0.70	0.016	—	0.028
L1	0.95REF			0.037REF		
θ	0	—	8°	0	—	8°

11 Package Outline Dimension(Continued)
TSSOP8


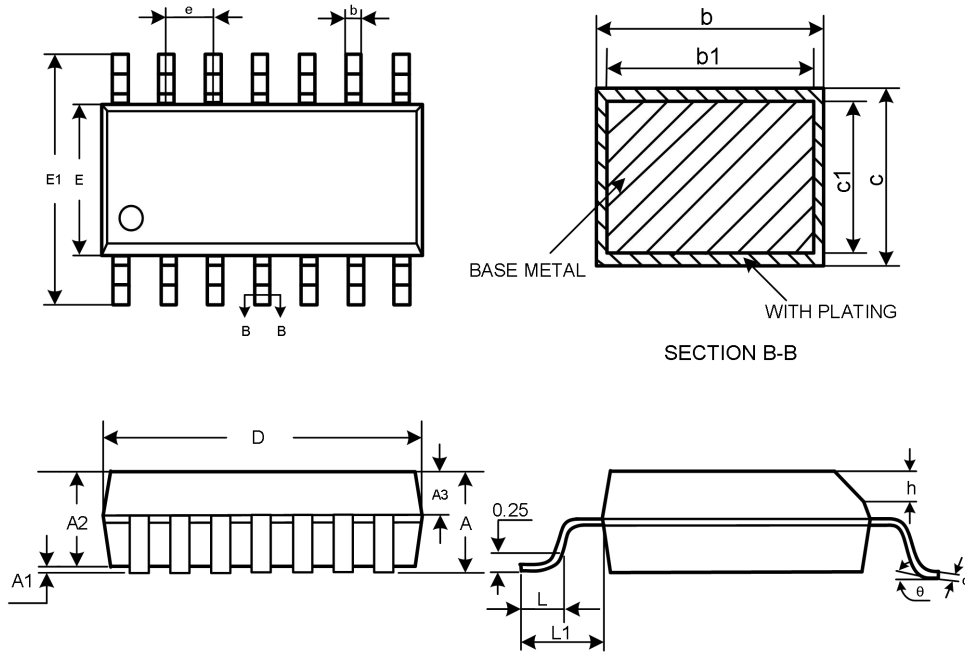
Symbol	Dimensions in Millimeters			Dimensions in Inches		
	Min.	Nom.	Max.	Min.	Nom.	Max.
A	—	—	1.20	—	—	0.047
A1	0.05	—	0.15	0.002	—	0.006
A2	0.90	1.00	1.05	0.035	0.039	0.041
A3	0.39	0.44	0.49	0.015	0.017	0.019
b	0.20	—	0.28	0.008	—	0.011
b1	0.19	0.22	0.25	0.007	0.009	0.010
c	0.13	—	0.17	0.005	—	0.007
c1	0.12	0.13	0.14	0.005	0.005	0.006
D	2.90	3.00	3.10	0.114	0.118	0.122
E1	4.30	4.40	4.50	0.169	0.173	0.177
E	6.20	6.40	6.60	0.244	0.251	0.260
e	0.65BSC			0.026BSC		
L	0.45	—	0.75	0.018	—	0.030
L1	1.00REF			0.039REF		
θ	0	—	8°	0	—	8°

11 Package Outline Dimension(Continued)
SOP8


Symbol	Dimensions in Millimeters			Dimensions in Inches		
	Min.	Nom.	Max.	Min.	Nom.	Max.
A	—	—	1.75	—	—	0.069
A1	0.10	—	0.225	0.004	—	0.009
A2	1.30	1.40	1.50	0.051	0.055	0.059
A3	0.60	0.65	0.70	0.024	0.026	0.028
b	0.39	—	0.47	0.015	—	0.019
b1	0.38	0.41	0.44	0.015	0.016	0.017
c	0.20	—	0.21	0.008	—	0.008
c1	4.80	4.90	5.00	0.189	0.193	0.197
D	5.80	6.00	6.20	0.228	0.236	0.244
E	5.80	6.00	6.20	0.228	0.236	0.244
E1	3.80	3.90	4.00	0.150	0.154	0.157
e	1.27BSC			0.05BSC		
h	0.25	—	0.50	0.010	—	0.020
L	0.50	—	0.80	0.020	—	0.031
L1	1.05REF			0.041REF		
θ	0	—	8°	0	—	8°

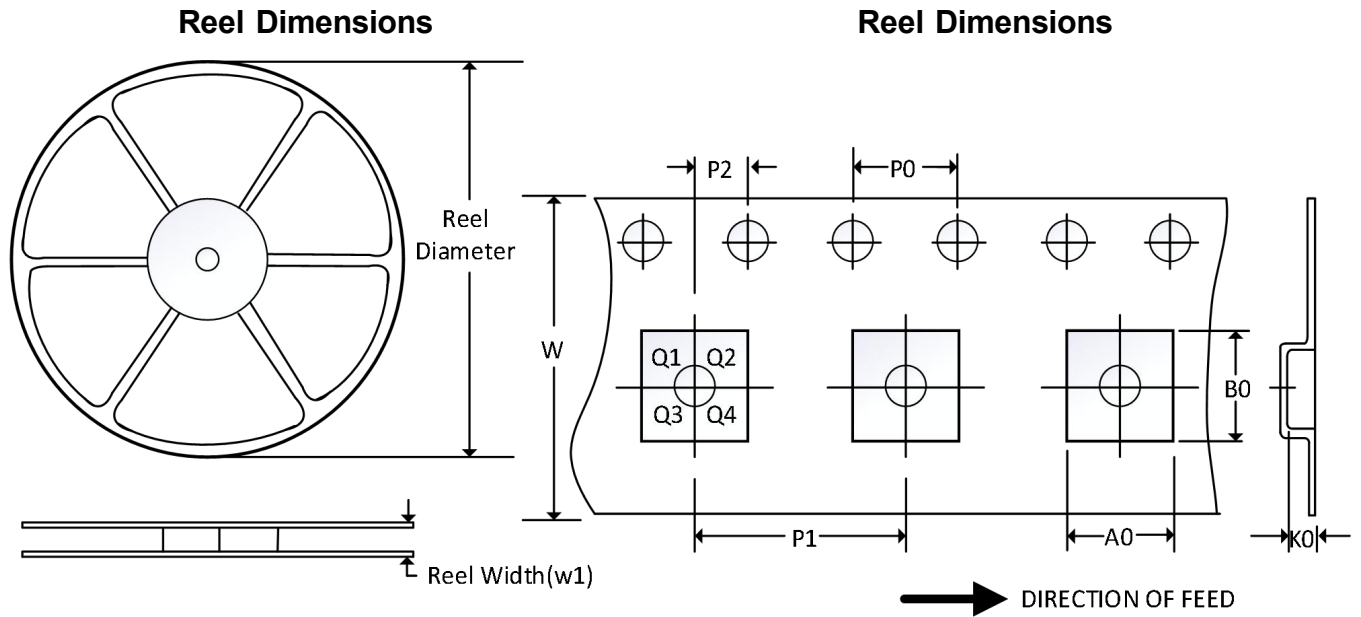
11 Package Outline Dimension(Continued)
TSSOP14


SYMBOL	Dimensions in Millimeters			Dimensions in Inches		
	Min.	Nom.	Max.	Min.	Nom.	Max.
A	—	—	1.20	—	—	0.047
A1	0.05	—	0.15	0.002	—	0.006
A2	0.90	1.00	1.05	0.035	0.039	0.041
A3	0.39	0.44	0.49	0.015	0.017	0.019
b	0.20	—	0.28	0.008	—	0.011
b1	0.19	0.22	0.25	0.007	0.009	0.010
c	0.13	—	0.17	0.005	—	0.007
c1	0.12	0.13	0.14	0.005	0.005	0.006
D	4.90	5.00	5.10	0.193	0.197	0.201
E	4.30	4.40	4.50	0.169	0.173	0.177
E1	6.20	6.40	6.60	0.244	0.252	0.260
e	0.65BSC			0.026BSC		
L	0.45	0.60	0.75	0.018	0.024	0.030
L1	1.00BCS			0.039BSC		
θ	0	—	8°	0	—	8°

11 Package Outline Dimension(Continued)
SOP14


SYMBOL	Dimensions in Millimeters			Dimensions in Inches		
	Min.	Nom.	Max.	Min.	Nom.	Max.
A	—	—	1.75	—	—	0.069
A1	0.10	—	0.225	0.004	—	0.009
A2	1.30	1.40	1.50	0.051	0.055	0.059
A3	0.60	0.65	0.70	0.024	0.026	0.028
b	0.39	—	0.47	0.015	—	0.019
b1	0.38	0.41	0.44	0.015	0.016	0.017
c	0.20	—	0.24	0.20	—	0.24
c1	0.19	0.20	0.21	0.007	0.008	0.008
D	8.55	8.65	8.75	0.337	0.341	0.344
E1	5.80	6.00	6.20	0.228	0.236	0.244
E	3.80	3.90	4.00	0.150	0.154	0.157
e	1.27BSC			0.05BSC		
h	0.25	—	0.50	0.010	—	0.020
L	0.50	—	0.80	0.020	—	0.031
L1	1.05REF			0.041REF		
θ	0	—	8°	0	—	8°

12 Tape and Reel Information



NOTE: The picture is only for reference. Please make the object as the standard.

Key Parameter List of Tape and Reel

Package Type	Reel Diameter	Reel Width (mm)	A0 (mm)	B0 (mm)	K0 (mm)	P0 (mm)	P1 (mm)	P2 (mm)	W (mm)	Pin1 Quadrant
SOT23-5	7"	9.5	3.20	3.20	1.40	4.0	4.0	2.0	8.0	Q3
MSOP8	13"	12.4	5.20	3.30	1.50	4.0	8.0	2.0	12.0	Q1
TSSOP8	13"	12.4	6.90	3.45	1.65	4.0	8.0	2.0	12.0	Q1
SOP8	13"	12.4	6.40	5.40	2.10	4.0	8.0	2.0	12.0	Q1
TSSOP14	13"	12.4	6.95	5.60	1.20	4.0	8.0	2.0	12.0	Q1
SOP14	13"	16.4	6.60	9.30	2.10	4.0	8.0	2.0	16.0	Q1

NOTE:

1. All dimensions are nominal.
2. Plastic or metal protrusions of 0.15mm maximum per side are not included.